

Palm Oil Mill Equipment - Vacuum Oil Dryer

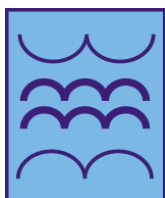
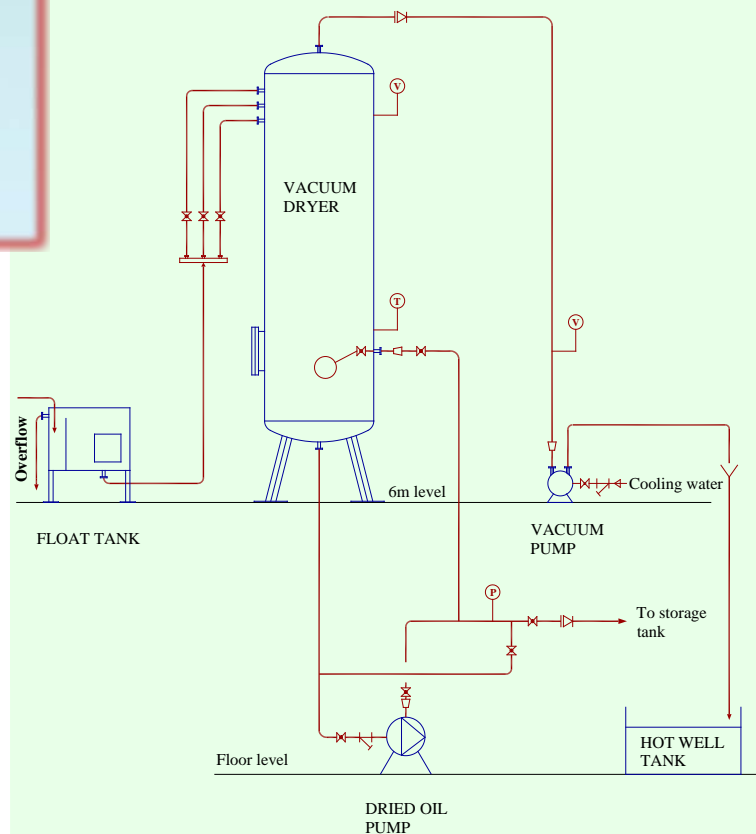


Applications:

- Clarification station

Main features of Vacuum Oil Dryer:

- > Capacity range from 4 - 20 tons/hr
- > Reduce moisture content to less than 0.1%
- > Operate under vacuum of 150 mbar (abs)
- > Vessel designed and fabricated to ASME code for unfired pressure vessel.
- > Material of construction can be of mild steel or fully stainless steel as per request.
- > Internal fitted with stainless steel spray nozzles and splash trays
- > Operation can either be automatic with level switch control or manually with float valve.
- > Custom make to meet with different application requirement.



WATERMECH ENGINEERING SDN BHD (93334-w)

No. 11, Jalan TSB 8, Taman Industri Sg. Buloh,
47000 Sg. Buloh, Selangor Darul Ehsan, Malaysia

Tel : 603-61571688 Fax : 603-61571633

e-Mail : watermech@watermech.com

web: <http://www.watermech.com>